



# WARN Industrial Winch

**Model**

**Series 15-A-2D  
Electric Winch  
Manual Clutch**

**Part Number**

**65932**

**Motor Type**

DC Electric  
24 Volt  
Series Wound

The Series 15 DC features an extended run time high powered DC motor with a weatherproof industrial contactor and heavy duty remote control. The disc brake is designed for extended power-out use. Designed to meet SAE J706 and CE standards. The motor is protected by a thermal overload switch.

\*Remote Control Assembly, 10m included



### Accessories

Description:	Part Number
Wire Rope Tension Plate 10"	31149
Fairlead Black 10"	24336
Fairlead Chrome 10"	30859
Remote Clutch Mechanical	38316
Remote Clutch Air	71370
Wire Rope Assembly 1/2"x75'	77534

### Engineering Data

Rated Pulling Force:	15000 lbf	6804 kgf
Drum Barrel Diameter:	4.0 in	102 mm
Drum Flange Diameter:	8.24 in	209 mm
Distance Between Flanges:	9.95 in	253 mm
Recommended Maximum Wire Rope Diameter:	1/2 in	12.7 mm
Recommended Minimum Wire Rope Breaking Strength:	26600 lbf	12066 kgf
Approximate Shipping Weight:	104.0 lb	47.2 kg
Duty Cycle (intermittent per SAE J706 section 6.2):	55 ft	16.8 m
Mounting Bolt Torque:	35 - 40 ft*lbf	47 - 54 N*m
Maximum Layers of Wire Rope:	3 (with 1/2" dia. rope)	
Gear Reduction:	315:1	
Brake Type:	Disk	
Contactor / Remote Type: Industrial contactor with 33' (10m) heavy duty remote		

### Drum Rotation



Viewed from Motor End

### Standards Compliance

1. -SAE J706
2. -CE Machinery Directive 98/37/EC and 2006/42/EC
3. -CE Electromagnetic Compatibility 2004/108/EC

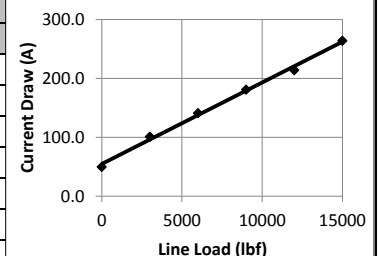
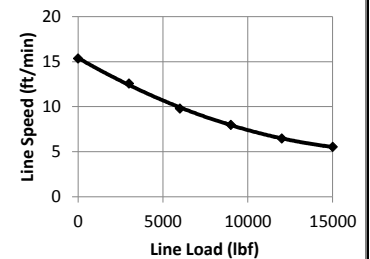
### Performance By Layer- 1/2" (12.7 mm) dia. rope

Drum Layer	Line Load *			No Load Line Speed		Drum Capacity	
	lbf	kgf	kN	ft/min	m/min	ft	m
<b>1</b>	15000	6804	66.7	15.4	4.7	20	6.1
<b>2</b>	12273	5567	54.6	18.9	5.8	45	13.7
<b>3</b>	10385	4711	46.2	22.3	6.8	75	22.9

\* Never exceed the Rated Pulling Force. Installation of a Rated Capacity Limiter is recommended.

### First Layer Performance

Line Load		Current Draw	Line Speed		Duty Cycle
lbf	kgf	Amps	ft/min	m/min	min/10min
0	0	49.7	15.4	4.7	5.5
3000	1361	101.0	12.6	3.8	2.1
6000	2722	141.0	9.8	3.0	1.4
9000	4082	181.0	8.0	2.4	1.1
12000	5443	214.0	6.5	2.0	0.9
15000	6804	264.0	5.5	1.7	0.8



**WARN INDUSTRIES, INC**  
Industrial Products

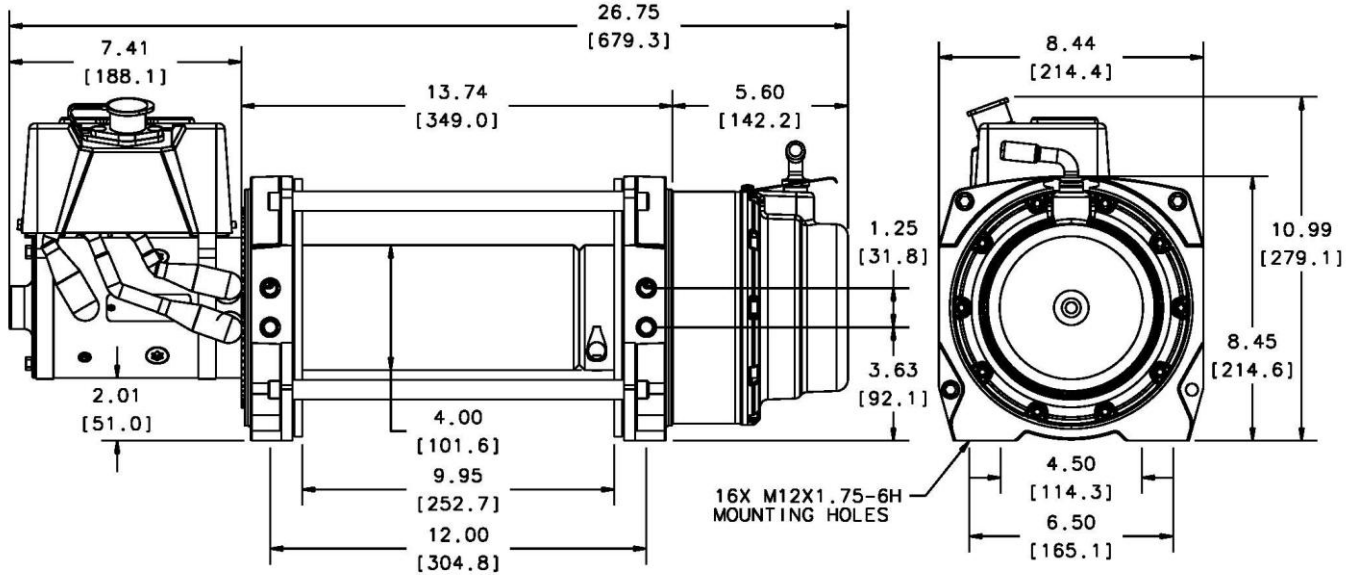
Customer Service (North America): 1.800.543.9276  
Customer Service (International): 1.503.722.3008  
FAX: 1.503.722.3000 www.warn.com

12900 S.E. Capps Road,  
Clackamas, OR USA 97015



# WARN Industrial Winch

Model	Part Number	Motor Type
Series 15-A-2D Electric Winch Manual Clutch	65932	DC Electric 24 Volt Series Wound



Motor / Contactor may be rotated in 90 degree increments. Clutch housing may be rotated in 72 degree increments.

Units are given in inches [millimeters], unless otherwise specified

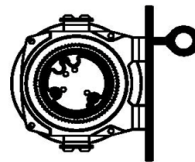
### Recommended Mounting- Always Observe Correct Drum Rotation

### Electrical System Specifications

Pull from bottom of winch

Pull from bottom of winch

Pull from top of winch



Feet down

Feet forward

Feet forward

Pull from top of winch

Pull from top of winch

Pull from top of winch



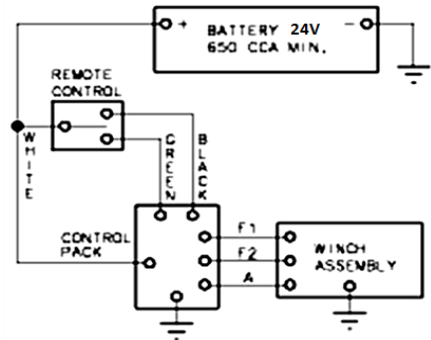
Feet down without angle brace

Feet down with angle brace

Angle Braces Only

- 650 CCA Battery Minimum
- See Electrical Cable Gauge Size Chart for cable sizing
- All electrical connections must be clean and tight

### Electrical System Wiring Schematic



Notes:

**WARN INDUSTRIES, INC**  
Industrial Products

Customer Service (North America): 1.800.543.9276  
Customer Service (International): 1.503.722.3008  
FAX: 1.503.722.3000 www.warn.com

12900 S.E. Capps Road,  
Clackamas, OR USA 97015